

## CONTROL

ICC

Advanced quality control and quick run up time with touchscreen.

UC

Straightforward crimping controlling.



120

FINN-POWER 120 CRIMPING MACHINE FOR SERIAL PRODUCTION

## 120/S – SPEED, PRECISION AND QUALITY

Finn-Power 120 and 120S are ideal for mid-range hydraulic and industrial hoses. Due to the large opening and strength Finn-Power 120 and 120S models are ideal for mid-range hydraulic and industrial hoses.

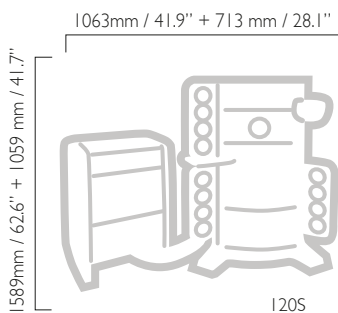
Depending on available space, the hydraulic and crimping units can be separated or fitted together with a connection kit.

### OPTIONS

- QC-Tool base
- Foot pedal
- Electric backstop device
- Mechanical backstop device
- Mirror
- Auto greasing
- Side table
- Die set racks
- A3 signal option x communication\*
- Bar Code Reader\*
- Pressure crimping (UC1, ICC1)
- Step crimping (UC2, ICC2)
- Quality crimping (UC3, ICC3)
- Graphical quality crimping (ICC4)
- Camera\*\*

DIE SET TABLE P32

Pno	Crimp. range	D	L
18506/10	10.0 - 12.0	10	55
18506/12	12.0 - 14.0	12	55
18506/14	14.0 - 16.0	14	55
18506/16	16.0 - 19.0	16	55
18506/19	19.0 - 22.0	19	55
18506/22	22.0 - 26.0	22	70
18506/26	26.0 - 30.0	26	70
18506/30	30.0 - 34.0	30	70
18506/34	34.0 - 39.0	34	75
18506/39	39.0 - 45.0	39	75
18506/45	45.0 - 51.0	45	90
18506/51	51.0 - 57.0	51	90
18506/57	57.0 - 63.0	57	100
18506/63	63.0 - 69.0	63	110
18506/69	69.0 - 75.0	69	110
18506/74	74.0 - 80.0	74	110
18506/78	78.0 - 87.0	78	110



120S



<http://powerco.lillbacka.com/products/serial-production>

120/S	
Crimping range (mm) <sup>1)</sup>	10–87
Crimping range (inch) <sup>1)</sup>	0.39–3.42
Max opening (mm)	+68
Max. crimping force (kN)	2 800
Max. crimping force (tonnage)	280
Number of crimpings/hour <sup>2)</sup>	2 400 / 3 000
Motor (kW)	5.5
Motor (HP)	7.5
Weight (kg)	845 / 182
Weight (lbs)	1 863 / 402

1) With standard dies. Crimping range can be increased with special dies.

2) Theoretical with 10 mm opening

\* ICC 7", 12"  
\*\* ICC 12"